

CHROMALED

Master 4K

Specification



ShenZhen ChromaLED Technology Co., Ltd

Important Warnings

This device must be performed by qualified technical personnel who are familiar with all instructions and safety guidelines in case of any risk of hazards. Under no circumstances are ChromaLED parts reparable by anyone other than ChromaLED and do contact ChromaLED if you have any questions regarding its application and maintenance.



High Voltage

Do not open this device in case of any risk of hazard due to its high working voltage from 110-240V AC.



Grounding

This device must be properly grounded.



No moisture

No liquids can be in contact with this device and unplug this apparatus immediately if it happens reversely.

Safety Guidelines

- 1) Read this manual attentively before performing and save it properly for later use.
- 2) Disconnect the power to this apparatus during lighting storms and unplug this apparatus when unused for long period of time.;
- 3) Refer all servicing to qualified service technicians or personnel or get yourself properly trained before operating.;
- 4) Keep flammable materials away from this device.;
- 5) Keep the power cords in order and well managed.;
- 6) Keep all liquids and fine metal debris away from the device.;

The manufacturer assumes no liability for incorrect, inadequate and irresponsible performance of this device so ensure that you understand and follow all the instructions and safety guidelines mentioned in this manual.

Product Introduction

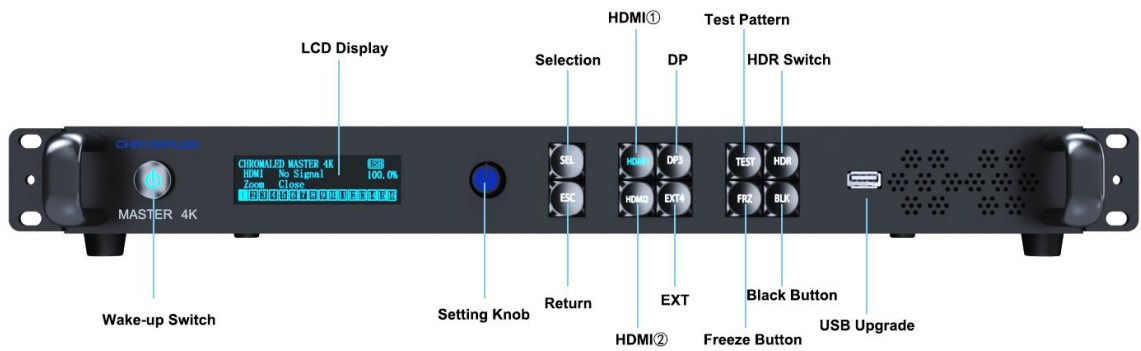
CHROMALED Master 4K is an ultra-professional LED display controller. It combines the years of R & D team experience of Transcend Video. This video controller adopts an ultra-thin and ultra-light design (only 1U) and have various video interfaces, high color depth display, 9.4 million super large loading capacity 4096X2304@60Hz, support 4K HDR, advanced image processing technology brings more vivid color expression and more distinct contrast. CHROMALED Master 4K will richly meets the requirement of various industries such as leasing, stage, advertising media, monitoring room and television station.

Product Features:

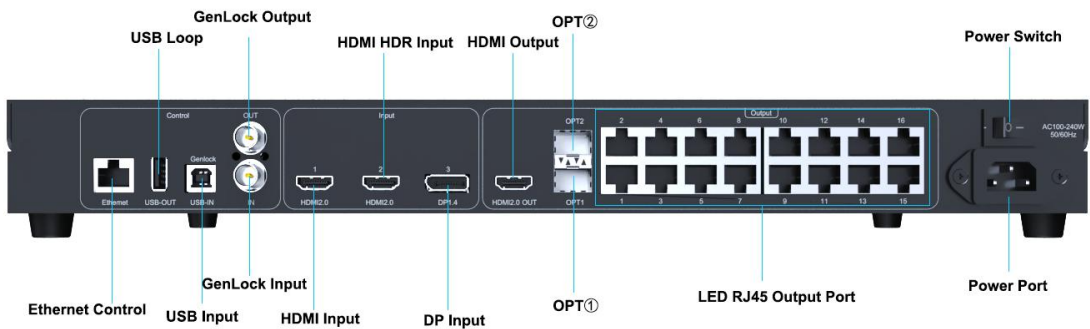
- 1) Premium display technology
 - Better color depth ;
 - Wide color gamut standard ;
 - Higher refresh rate up to 120Hz;
 - Seamless splicing ;
 - Enhanced grey scale for premium picture quality with no pixelated and color fringes especially at lower brightness ;
- 2) Image processing technology
 - Industry-leading image processing technology including 3D denoise, defog, sharpness saturation and contrast;
 - Support 4K @ 60Hz HDR more advanced image processing technology, one-button switch HDR output
 - Support HDCP management ;
- 3) Multiple signal formats
 - Video input interfaces include: HDMI2.0, DP1.4, HDR2.0;
 - Support HDMI2.0 output, two 10G optical ports;
 - Support Genlock input and loop through outputs Higher Resolution ;
 - Resolution: 4096X2304 @ 60Hz, with 9.4 million pixels;
- 4) Simple set-up
 - Quick set-up on brightness, contrast and saturation etc with no need of control software;
 - Simple Remote monitoring, device upgrade and configuration with no need of control software.

Hardware Introduce

Master 4K Front Panel:



Master 4K Rear Panel:



Technology Specification

Input Ports		
PORT	AMOUNT	SPECIFICATION
HDMI	2	HDMI2.0,4096X2304@60Hz
DP	1	DP1.4,4096X2304@60Hz

Output Ports		
PORT	AMOUNT	SPECIFICATION
ETHERNET	16	16 Gigabit Ethernet outputs
HDMI	1	HDMI2.0,4096X2304@60Hz

Control Interface		
PORT	AMOUNT	SPECIFICATION
ETHERNET	1	100M ETHERNET, connected to PC via standard TCP/IP protocol
Front USB	2	IN: Connectable to PC or previous control system OUT: Connectable next control system USB2.0
Rear USB	1	USB2.0, USB Configuration Import, updating program

GenLock Interface		
PORT	AMOUNT	SPECIFICATION
GenLock	2	IN: Synchronous Signal Input OUT: Loop Output

Specification of complete machine	
Input	100~240V AC, 50/60A 1A
Overall power consumption	25W
Operating temperature	-20~60°C
Operating humidity	90%RH
Dimensions	483x341x56mm
Weight	2.8Kg

Controller Dimension

